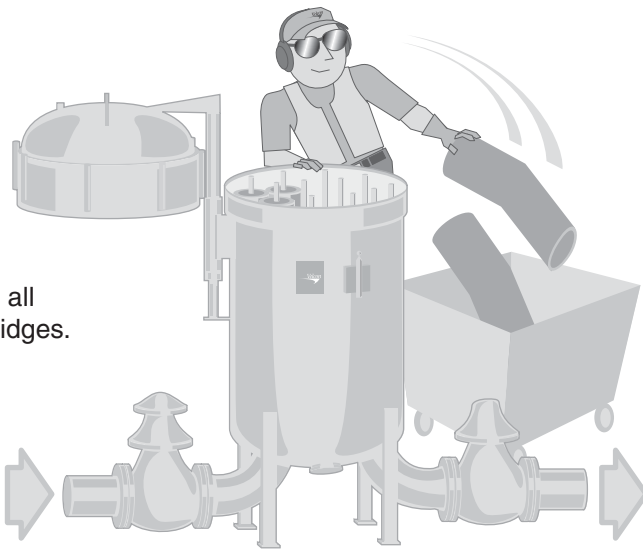


Here's how:

to install Velcon Filters, Inc. "T" Series cartridges and Teflon[®] coated screen separators – SO Series — into vertical Fram VFCS Filter Separators.

1

Remove all old cartridges.



3

6000T Adapter
"Anti-Rotation" Lugs

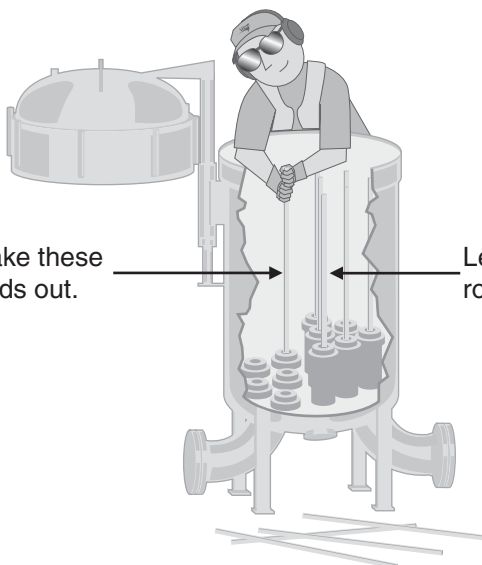


Fit adapter against cartridge stub. Position adapter so that the "anti-rotation" lugs are straddling the mounting cross bar or "tongue."

2

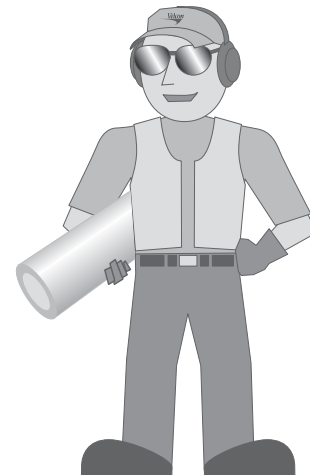
Take these rods out.

Leave these rods in.

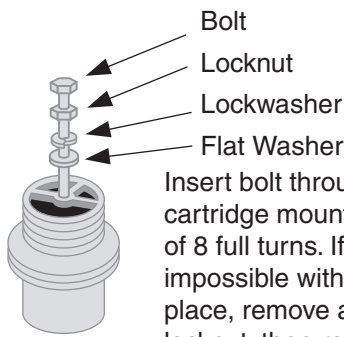


4

NOTE: Wear clean gloves when handling new cartridges. Keep poly-bags on cartridges until properly secured in the vessel.

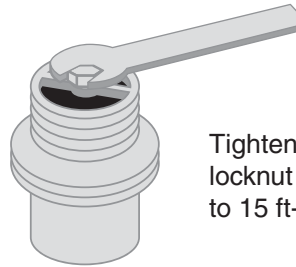


5



Insert bolt through adapter into cartridge mount a minimum of 8 full turns. If 8 turns are impossible with locknut in place, remove and discard locknut; then reassemble.

6



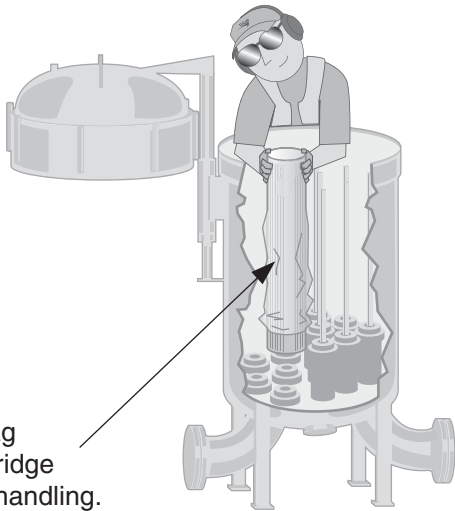
Tighten locknut (or bolt if locknut has been removed) to 15 ft-lb of torque.

7

Break the polyethylene bag at the cartridge's threaded end and slide it back a few inches. Leaving the bag on the cartridge during installation, screw cartridges onto adapters & tighten hand tight. Remove polyethylene bag slowly.

Use a wrench with Gammon P/N GTP-1224 adapter on the square base of the cartridge to tighten an additional 1/4 turn (about 30 ft-lb of torque).

Poly-bag on cartridge during handling.



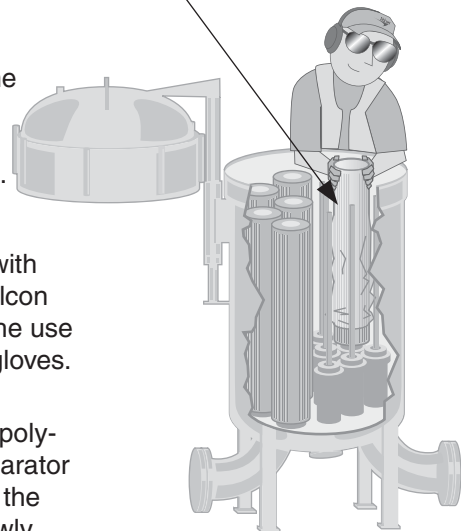
8

Poly-bag on cartridge during handling.

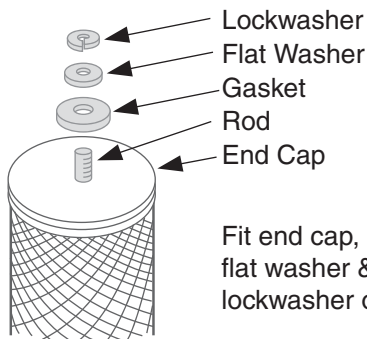
Gently place the second stage separators on cartridge stubs.

Do not handle Teflon screen with bare hands. Velcon recommends the use of clean work gloves.

Also, keep the poly-bag on the separator until placed on the stub. Then, slowly remove the poly-bag.



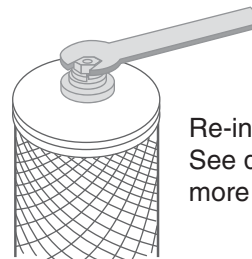
9



Fit end cap, gasket, flat washer & lockwasher on rod.

10

Apply nut to rod & tighten until lockwasher is flat (5 ft-lb torque).



Re-install spider assembly. See data sheet #2032 for more information.

Velcon products are sold and serviced by a world-wide representative network. To order, contact Headquarters or your LOCAL REPRESENTATIVE:

COMPANY HEADQUARTERS:

Velcon Filters, Inc.
1210 Garden of the Gods Road
Colorado Springs, CO 80907-3410
Phone: 1.800.531.0180 / 1.719.531.5855
Fax: 719.531.5690
e-mail: vfsales@velcon.com
www.velcon.com

MANUFACTURING PLANTS LOCATED AT:

Colorado Springs, Colorado
Sylacauga, Alabama
Henryetta, Oklahoma

OVERSEAS AFFILIATES:

Frankfurt/M., Germany & Singapore

**Liquid Filtration
and Separation
Specialists**