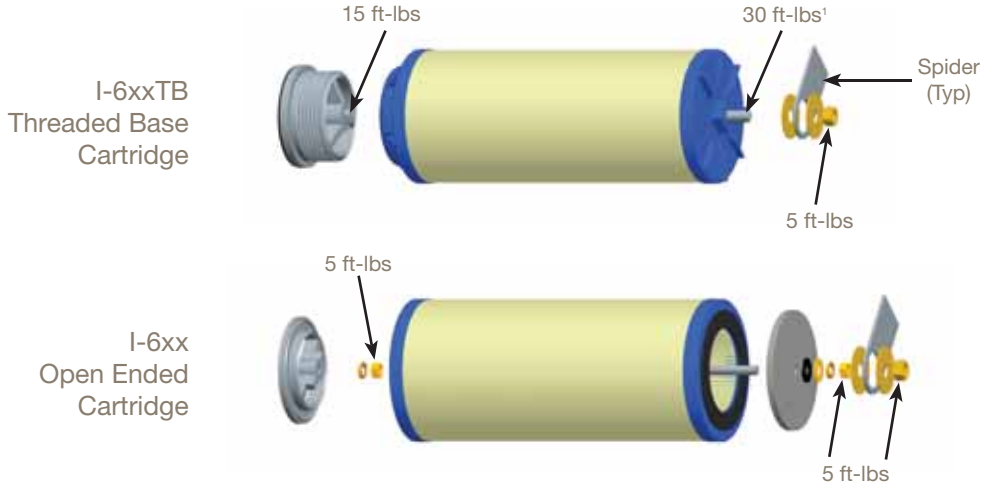


Assembly Torque Recommendations

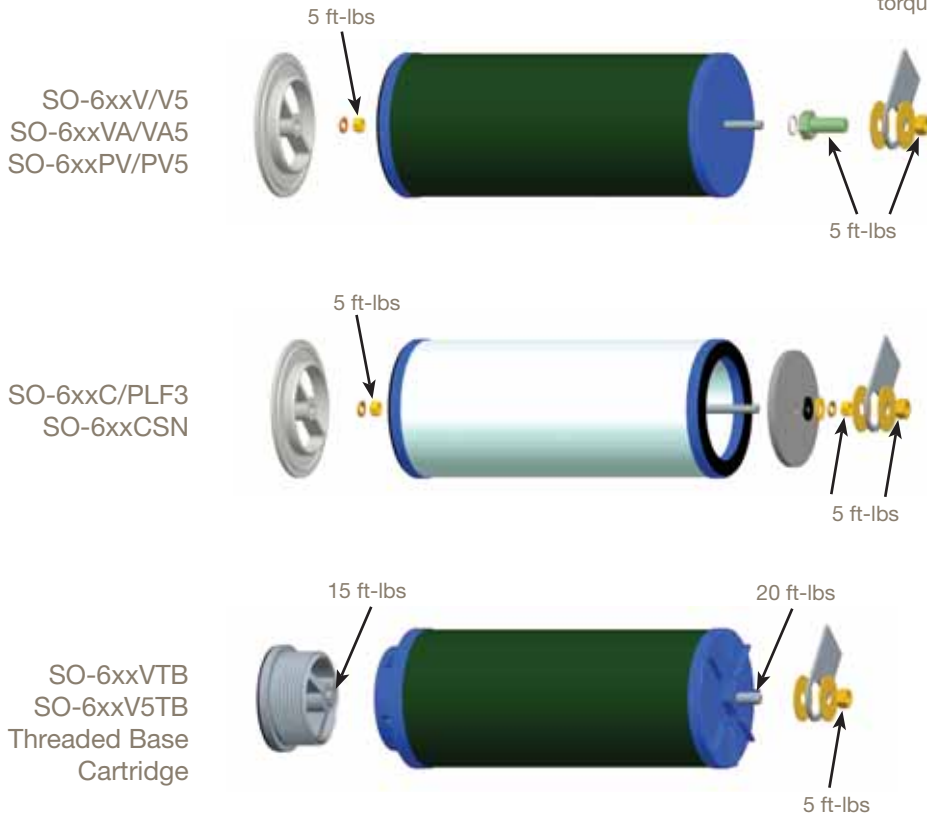
COALESCER CARTRIDGES

¹10 ft-lbs for I-4xxT coalescers



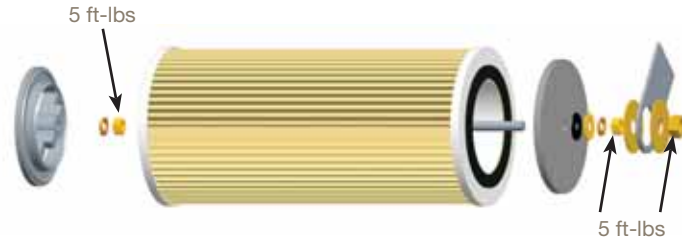
SEPARATOR CARTRIDGES²

²All 3" and 4" separators should be torqued to 5 ft-lb on both ends.

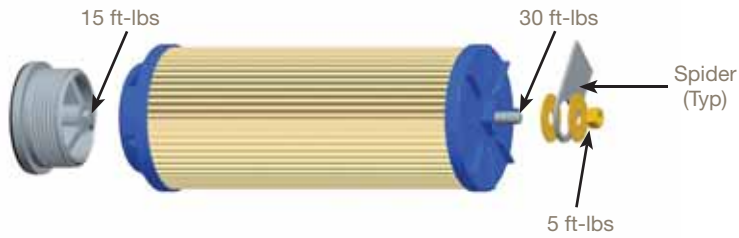


FILTER CARTRIDGES

FO-6xxPLF
FO-6xxFG
FO-6xxA3

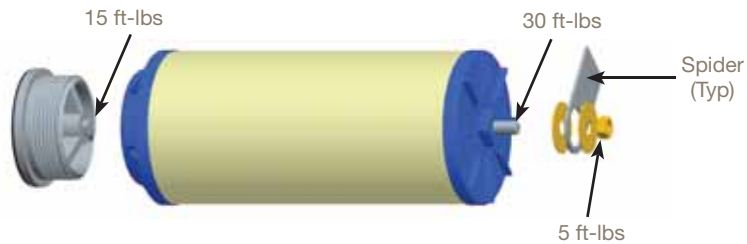


FO-6xxPLFTB
Threaded Base
Cartridge

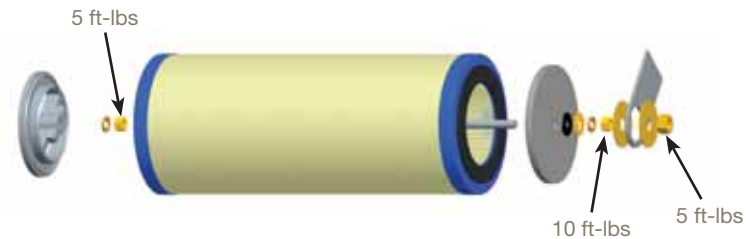


Aquacon® CARTRIDGES

ACI-6xxTB
ACO-6xxTB
Threaded Base
Cartridge



AC, ACI, ACO,
ASL, AD
Open Ended
Cartridge



TORQUE CONVERSION TABLE

ft-lbs	inch-lbs	kg-m	N-m
5	60	0.69	6.78
10	120	1.38	13.56
15	180	2.07	20.34
20	240	2.77	27.12
30	360	4.15	40.67

© 2015 Parker Hannifin Corporation. Product names are trademarks or registered trademarks of their respective companies.

VEL1801R7 1115



Parker Hannifin Corporation
Hydraulic & Fuel Filtration Division
 1210 Garden of the Gods Road
 Colorado Springs, CO 80907 USA
 tel +1 719 531 5855
www.velcon.com | www.parker.com