

Clean Dry Fuel with High Performance *Aquacon*[®] Filter Cartridges for Helicopter Refueling and Dispensing Pumps

FEATURES

- **Positive Water Removal** – *Aquacon* cartridges remove free and emulsified water from fuels
- **Positive Water Holding** – filtered water is chemically locked in and can't be squeezed out
- **Pressure Increase** signals cartridge change
- **Effective Dirt Removal** – 98% + efficiency for 1/2, 5, or 25 micrometer particles

DESCRIPTION

The VF-609 is a versatile filter housing with bolted cover, designed for use with several different high performance *Aquacon* filter cartridges. Refer to the cartridge selection table on the reverse side.

Aquacon cartridges filter out water by chemically locking it into layers of super-absorbent media. Water removal efficiency is not affected by surfactants or additives, and once captured, the water cannot be squeezed out. Water capacity is as much as 1 1/2 quarts, depending on the flow rate. These cartridges also effectively filter out dirt, rust and other particulates.

As a cartridge reaches its water-holding limit, the media expands very rapidly and restricts the flow. For fuels, the flow will completely stop, giving positive shut-off and guaranteeing water will not get downstream. For oils and other high viscosity liquids, the pressure drop will rapidly increase, signaling the need to change cartridges.

APPLICATIONS

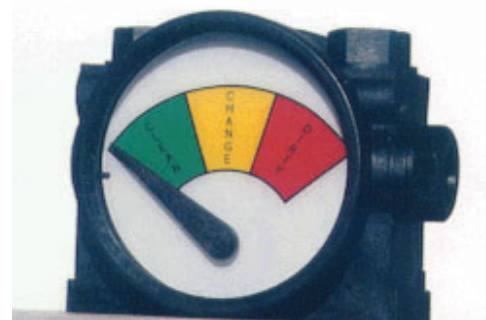
- | | |
|---------------------|------------------|
| • Jet Fuel | • Avgas |
| • Motor Gasoline | • Diesel Fuel |
| • Selected Solvents | • Biodiesel Fuel |

OVER PRESSURE PROTECTION

When exposed to a high concentration of water, the differential pressure across an *Aquacon* cartridge will immediately increase. Pressure bypasses or other means to limit the inlet pressure to 75 psi (5 bar) should be installed to prevent the cartridge from collapsing.



The VF-609 uses high performance *Aquacon* filter cartridges. Model above is shown without optional gauge.



The VF-609 gauge is an easy to install optional accessory.

Color	Indicates	Pressure Drop
Green	Clean	0 - 15 psi
Yellow	Change	16 - 25 psi
Red	Dirty	26+ psi

FILTER CARTRIDGE SELECTION TABLE

Product being filtered	Application	Cartridge P/N	Data Sheet	Type	Micron	Flow Rate (GPM)
Jet Fuel & Avgas (1)	Dirt & Free water	ACO-609P3L	1681	Aquacon [®] (Absorbent)	0.3	15-36
		ACO-60901L			0.5	
		ACO-60905L			5	
Diesel & Biodiesel (1)		OS-60988	1858	Coalescer/ Separator	0.5	Jet: 5-35 Avgas: 5-45
		AD-60925	1655	Aquacon [®] (Absorbent)	25	15-30
		OS-60986	1858	Coalescer/ Separator	5	5-18

(1) For aviation and diesel fuel applications, always install a differential pressure gauge or other means of determining differential pressure.

SPECIFICATIONS

Filter Housing VF-609

- Maximum Operating Pressure: 150 psi
- Material: Cast aluminum head; carbon steel shell with epoxy coated exterior and interior; four bolt head
- Inlet/Outlet Connections: 1½" NPT
- Closure Seal: Buna-N O-Ring – P/N G-0565
- Weight: 8 lbs.
- Shipping Weight: 10 lbs
- ¼" brass petcock vent valve and ½" drain valve
- Bolted cover

Cartridges

- Maximum Operating Temperature: 250°F (121°C)
- Collapse Strength: 75 psi (5bar)
- pH Range: 5 - 9
- Nominal Filtration Efficiency: 98%

ORDERING INFORMATION

- VF-609 unit is supplied with G-0565 Buna-N O-Ring and ¼" vent valve and ½" drain valve.
- Cartridges are **not** supplied and must be ordered separately.
- Viton O-Rings (P/N G-0565A) are recommended for gasoline and solvent applications.
- Optional Differential Pressure Gauge Assembly is P/N 07-224.
- Optional mounting block for gauge, PN 07-224AMB.
- Optional Drain Valve Part Number 554Y020 is a Carbon Steel ½" NPT Ball Valve, with Mounting Nipple.

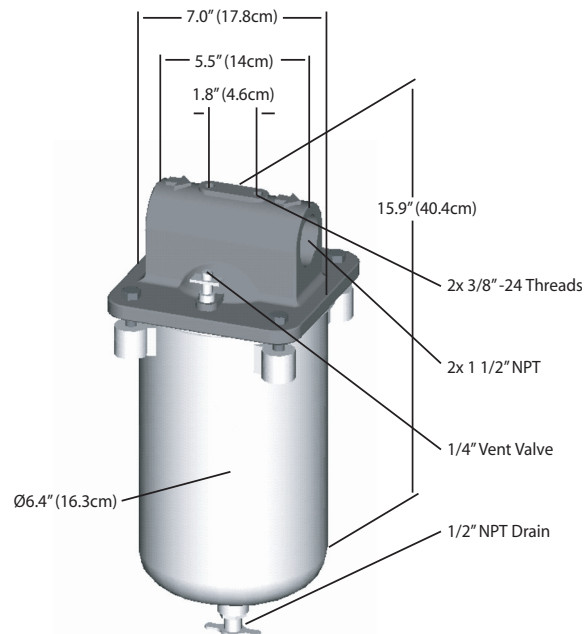
RECOMMENDED SPARES

- 1 each G-0565 Buna-N O-Ring (or 2 each G-0565A Viton O-Rings)
- 6 each cartridges


CAUTION

To protect the fuel system, including the VF-609 and other components, be sure to install pressure relief valve(s).

Do not use **Aquacon**[®] absorbent cartridges (ACO or AD Series) with pre-mixed jet fuel containing anti-icing additives, or with gasoline/alcohol blends.



Dimensions are shown for estimating purposes only.



Velcon products are sold and serviced by a world-wide representative network. To order, contact Headquarters or your **LOCAL REPRESENTATIVE**:

COMPANY HEADQUARTERS:
 Velcon Filters, LLC
 1210 Garden of the Gods Road
 Colorado Springs, CO 80907-3410
 Phone: 1.800.531.0180 / 1.719.531.5855
 Fax: 719.531.5690
 e-mail: vfsales@velcon.com
 www.velcon.com

MANUFACTURING PLANTS LOCATED AT:
 Colorado Springs, Colorado
 Sylacauga, Alabama
 Henryetta, Oklahoma

OFFICES AND AFFILIATES IN:
 Canada, Germany, Singapore, & Spain



**Liquid Filtration
and Separation
Specialists**