



Vertical Filter/Separators

API/EI 1581 5th Edition Qualified VV-Series

Compact Filter/Separator Vessels for Fixed Installations

Velcon Filters at London Heathrow T5



FEATURES

- Compact Design
- Code Qualification
- Simplified Maintenance
- Field Proven Performance

DESCRIPTION

Compact VV Series Filter/Separators comply fully with API/EI 1581, Fifth Edition, requirements for Category C equipment. Units are designed for ease of maintenance with one piece threaded base "C5" Series Coalescer Elements and reusable one-piece Teflon® coated screen "V5" Series Separator Elements (see Velcon Form 1923).

SPECIFICATIONS

- 150 PSI ASME Code Construction
- RF Flanged Connections
- Swing Bolted Closure
- Buna-N O-ring Cover Seal
- MIL-PRF-4556 Epoxy Coated Interior, Primer Exterior
- 3% positive sloped deck plates or manifolds to facilitate drainage

RECOMMENDED ACCESSORIES

The following accessories are recommended for safe, effective operation at all installations.

- Automatic Air Vent
- Pressure Relief Valve
- Differential Pressure Gauge
- Sampling Probes
- Interface Control
- ASME Code Stamp
- Water Slug Control Valve
- Manual Drain Valve

OTHER ACCESSORIES AVAILABLE

- Sump Heater
- Sight Glass

® Teflon is a registered trademark of E.I. du Pont de Nemours & Co., Inc.

CARTRIDGE SELECTION

Velcon Vessel Model Number	Flow Rates (USGPM)	Coalescer Elements		Separator Elements	
		Qty	Model Number	Qty	Model Number
VV1222 ⁽¹⁾	50	1	I-622C5TB	1	SO-318V5
VV1522	100	2	I-622C5TB	1	SO-623VA5
VV1533 ⁽¹⁾	160	2	I-633C5TB	1	SO-629VA5
VV2028	200	3	I-628C5TB	1	SO-630V5
VV2328	340	5	I-628C5TB	2	SO-630PV5
VV2333	400	5	I-633C5TB	2	SO-630PV5
VV2828	475	7	I-628C5TB	3	SO-630PV5
VV2838	605	7	I-638C5TB	3	SO-630PV5
VV2844	780	7	I-644C5TB	3	SO-640PV5
VV2856	900	7	I-656C5TB	3	SO-644PV5
VV3638	1045	11	I-638C5TB	5	SO-636PV5
VV3644	1220	11	I-644C5TB	5	SO-636PV5
VV3656	1500	11	I-656C5TB	5	SO-644PV5
VV3756	1725	12	I-656C5TB	6	SO-644V5
VV4244	2000	18	I-644C5TB	7	SO-644V5
VV4256	2300	16	I-656C5TB	8	SO-644V5
VV4456	2500	18	I-656C5TB	8	SO-646V5

(1) Exceeds vessel's length-to-diameter ratio

**OTHER MODELS
AVAILABLE UPON
REQUEST**

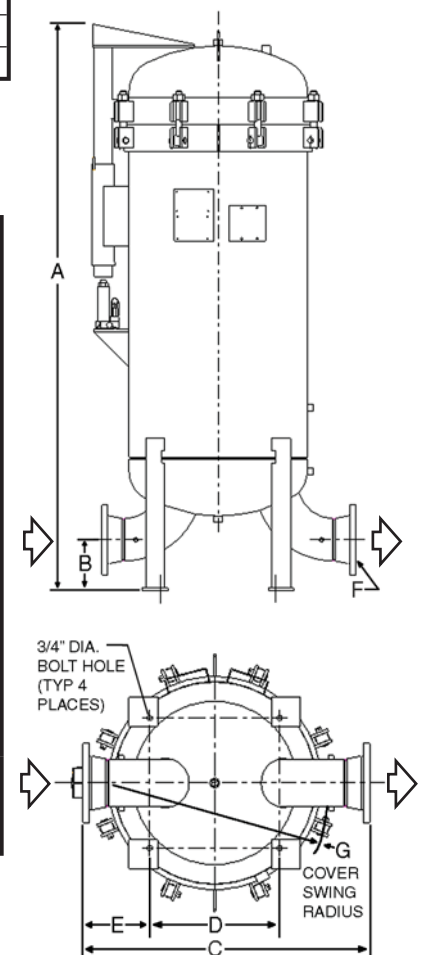
DIMENSIONAL DATA

Velcon Vessel Model No.	Dimensions in Inches*							Weight With Skid (lbs)	Volume (US gal)
	A	B	C	D	E	F	G		
VV1222	39 1/4	6	17 1/8	8	4 9/16	1 1/2	No Lift	360	14
VV1522	51 3/16	6	22 7/8	9	7 5/16	2 1/2	17 1/2	500	28
VV1533	57 5/16	6	22 7/8	9	7 5/16	2 1/2	17 1/2	600	37
VV2028	59 3/4	6	29 5/8	13	8 5/16	4	23 3/4	825	63
VV2328	69 1/2	6	46 3/16	15 1/2	14 1/8	4	29 5/8	1170	85
VV2333	69 1/2	8	36 1/16	15 1/2	9 1/16	6	29 5/8	1170	85
VV2828	71 1/4	8	37 1/8	18	9 5/8	6	35	1525	137
VV2838	80 23/32	8	37 1/8	18	9 9/16	6	35	1600	155
VV2844	86 3/16	8	37 1/8	18	9 9/16	6	35	1650	170
VV2856	99 15/32	8	37 1/8	18	9 9/16	6	35	1750	200
VV3638	91 1/32	9	52 7/8	24	12 15/16	8	44	2140	300
VV3644	96	9	52 7/8	24	12 15/16	8	44	2150	305
VV3656	110 1/2	9	52 7/8	24	12 15/16	8	44	2300	355
VV3756	108 15/32	9	52 7/8	24	12 15/16	8	44	2300	355
VV4244	102 25/32	10	61	28	16 1/2	10	52 1/2	3500	500
VV4256	114 25/32	10	61	28	16 1/2	10	52 1/2	3575	536
VV4456	116 15/32	9	62	30	16	10	55 3/8	3800	595

- VV15, VV20, and VV23 Series Filter/Separators have flat covers. All other models have domes.
- VV15 Series Filter/Separators have screw-type jacks. All other models have hydraulic-type jacks.

*DIMENSIONS SHOWN ARE FOR ESTIMATING PURPOSES ONLY.

FOR EXACT DIMENSIONAL DETAIL, OBTAIN CERTIFIED COPY OF VESSEL DRAWING.



Velcon products are sold and serviced by a world-wide representative network. To order, contact Headquarters or your LOCAL REPRESENTATIVE:

COMPANY HEADQUARTERS:
Velcon Filters, Inc.
1210 Garden of the Gods Road
Colorado Springs, CO 80907-3410
Phone: 1.800.531.0180 / 1.719.531.5855
Fax: 719.531.5690
e-mail: vfsales@velcon.com
www.velcon.com

MANUFACTURING PLANTS LOCATED AT:
Colorado Springs, Colorado
Sylacauga, Alabama
Henryetta, Oklahoma

OVERSEAS AFFILIATES:
Frankfurt/M., Germany & Singapore

**Liquid Filtration
and Separation
Specialists**