

Six and Twelve Cartridges Filter Housings

VF166C, VF2012C

FEATURES

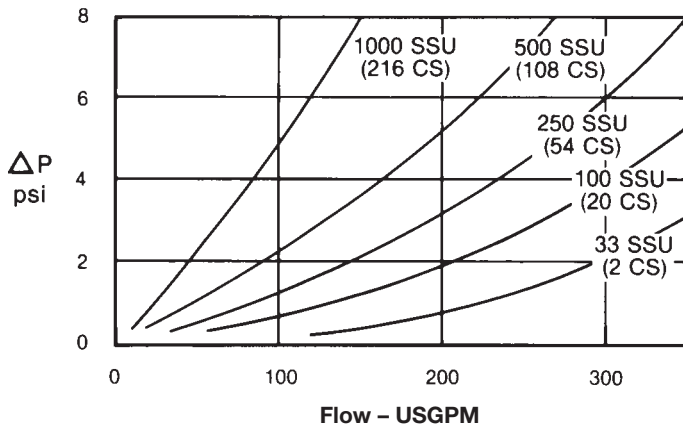
- ASME Code Design
- Carbon Steel Construction
- 150 psi operating pressure, 225 psi test
- O-Ring closure
- Primed exterior, oil coated interior
- Positive seal tie-rod cartridge mounting
- Swing bolt lid closure
- Six types of cartridge media available
- Lid lifting mechanism
- 200°F Design temperature

APPLICATIONS

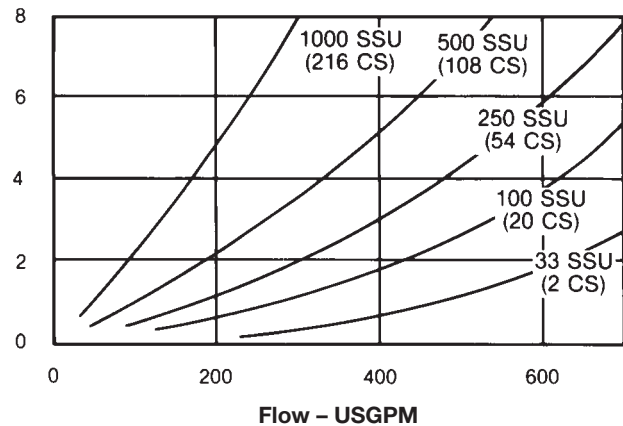
- Gasoline
- Cooling Water
- Coolants
- Solvents
- Kerosene
- Diesel Fuel
- Biodiesel Fuel
- Lube Oils
- Cutting Oils
- Gear Oil
- Hydraulic Oil
- Quench Oil
- Insulating Oil



VF2012C150



VF166C Housing with six FO-718PL05 Cartridges



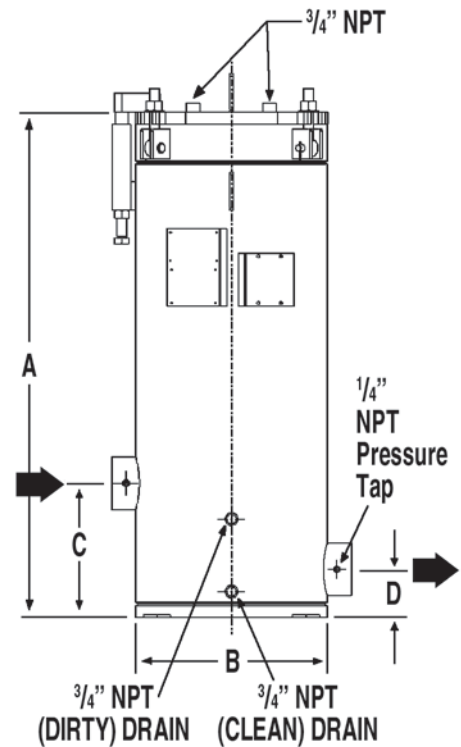
VF2012C Housing with twelve FO-718PL05 Cartridges



ENGINEERING YOUR SUCCESS.

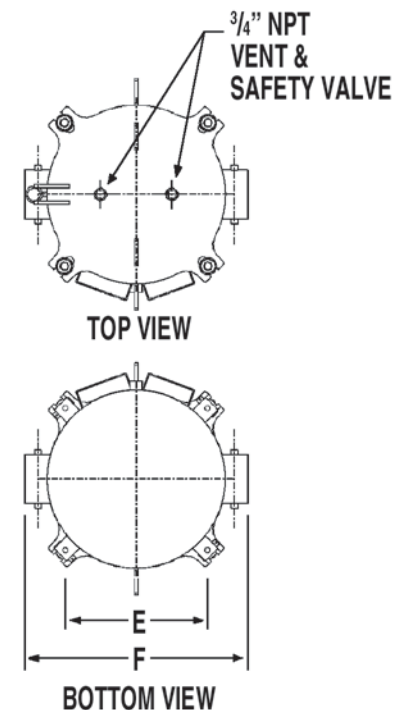
DIMENSIONS

Housing	VF166C	VF2012C
Inlet/Outlet	3" NPT	4" NPT
A	47 ¹ / ₄ " (120 cm)	52 ³ / ₄ " (134 cm)
B	16" (40.6 cm)	20" (50.8 cm)
C	11" (27.9 cm)	14" (35.6 cm)
D	4" (10.2cm)	5" (12.7 cm)
E	13" (33 cm)	16" (40.6 cm)
F	20" (50.8 cm)	25" (63.5 cm)
Volume	38 gal (144 L)	65 gal (246 L)
Vessel Weight – empty	355 lbs (140 kg)	592 lbs (270 kg)
Shipping Weight	405 lbs (160 kg)	642 lbs (292 kg)
Number of Standard Cartridges	6	12
Lid Gasket – Buna-N	G-2033	G-2027



ORDERING INFORMATION (SPECIFY)

Housing	VF166C150	
	VF2012C150	
	ASME Code Stamp – Specify if Required	
Cartridge Types (not included with housing)	FO-718PL Series Pleated Media	
	FO-618 FGA Series Fiberglass Depth Media	
	FOS-618/718 Series Synthetic Media Pleated Cartridges	
	LA-61801B Fullers Earth Media	
	AC-718 Series Aquacon ® Water Absorbing Media Cartridge	
	SD-718 Series Superdri ® dissolved water removal cartridges	
Recommended Spares	1 Set of Spare Filter Cartridges	
	1 Lid Gasket	
Accessories	#120-H Differential Pressure Gauge	
	VF166CI50EPX Internal Epoxy Coating	
	G-2033A (VF166C150)	Viton Lid Gaskets
	G-2027A (VF2012C150)	



Obtain Certified Drawing before pouring slab