

Single and Double Filter Housings

VF-8 Series Filter Housings

FEATURES

- 150 psi maximum operating pressure
- Carbon steel construction
- Positive seal tie-rod cartridge mounting
- Six types of cartridge media available
- 2" NPT connections
- Painted exterior; oil-coated interior

APPLICATIONS

- Hydraulic Oil
- Kerosene
- Insulating Oil
- Gear Oil
- Diesel Fuel
- Quench Oil
- Lube Oil
- Vacuum Pump Oil
- Coolant
- Turbine Oil
- Cutting Oil
- Cooling Water
- Synthetic Oil
- Transformer Oil
- Gasoline

DESCRIPTION

- VF-81C – a single element housing designed in accordance with the ASME code
- VF-82C – a double element housing designed in accordance with the ASME code.
- VF-82B – a non-code design that holds two cartridges.

VF-8 series vessels accommodate **Aquacon**[®] super absorbent or other special purpose filter cartridges. Refer to "Cartridge Types" listed on the reverse side of this sheet.



VF-81C

VF-82B

VF-82C

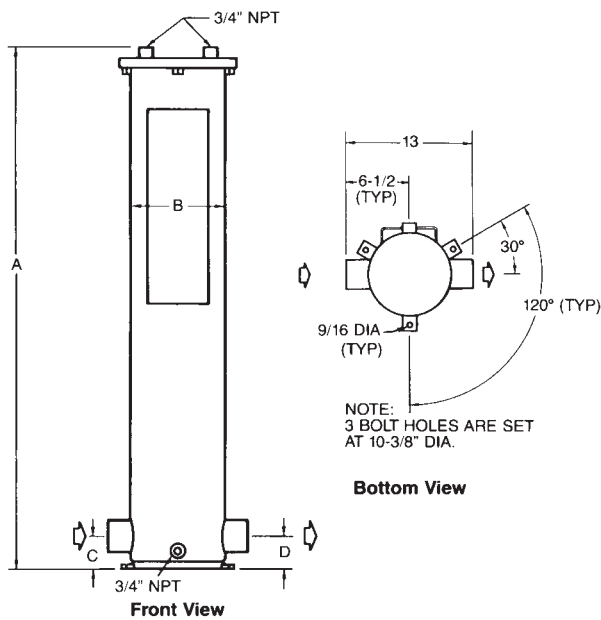


ENGINEERING YOUR SUCCESS.

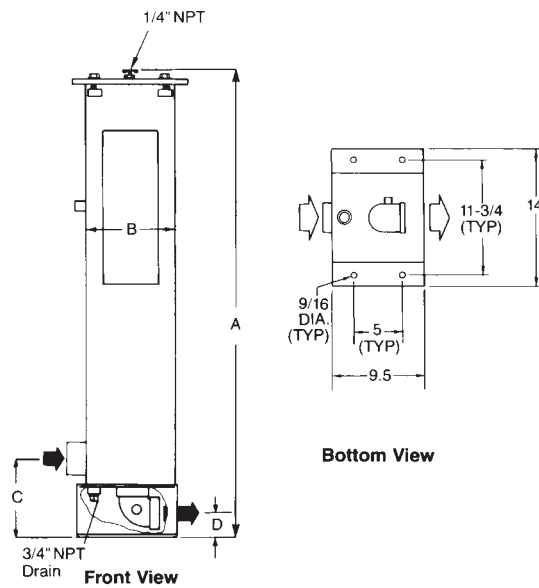
DIMENSIONS

Housing	VF-81C	VF-82C	VF-82B
Inlet/Outlet	2" NPT	2" NPT	2" NPT
A	31.5" (80 cm)	48.5" (123.1 cm)	44" (111.8 cm)
B	8.6" (21.9 cm)	8.6" (21.9 cm)	8.6" (21.9 cm)
C	3" (7.6 cm)	3" (7.6 cm)	7.5" (19 cm)
D	3" (7.6 cm)	3" (7.6 cm)	2.5" (6.3 cm)
Volume	6 gal (22.7 l)	10 gal (37.9 l)	9 gal (34 l)
Vessel Weight – Empty	90 lbs (40.8 kg)	118 lbs (53.5 kg)	86 lbs (39 kg)
Shipping Weight	110 lbs (49.9 kg)	138 lbs (62.6 kg)	106 lbs (48 kg)
Number of Standard Cartridges	1	2	2
Lid Gasket – Buna-N	G-1045	G-1045	G-1045

VF81C and VF82C



VF82B



ORDERING INFORMATION (SPECIFY)

Housing	VF81C150 (ASME Code Design)
	VF82C150 (ASME Code Design)
	VF82B150 (Non-ASME Code Design)
	ASME Code Stamp – Specify if Required
Cartridge Types (not included with housing)	FO-718PL Series Pleated Synthetic Media
	FOS-618PL Series Pleated Media
	FO-618FGA Series Fiberglass Depth Media
	LA-61801B Fuller's Earth Media
	AC-718 Series Aquacon Free Water-Absorbing Media
	SD-718 SuperDri ® Dissolved Water Removal Media

Recommended Spares	6 Spare Filter Cartridges
	1 Lid Gasket
Accessories	#120-A Direct Reading Gammon Gauge, piston type
	#120-F Differential Pressure Gauge
	G-1045 Viton Lid Gasket



ENGINEERING YOUR SUCCESS.